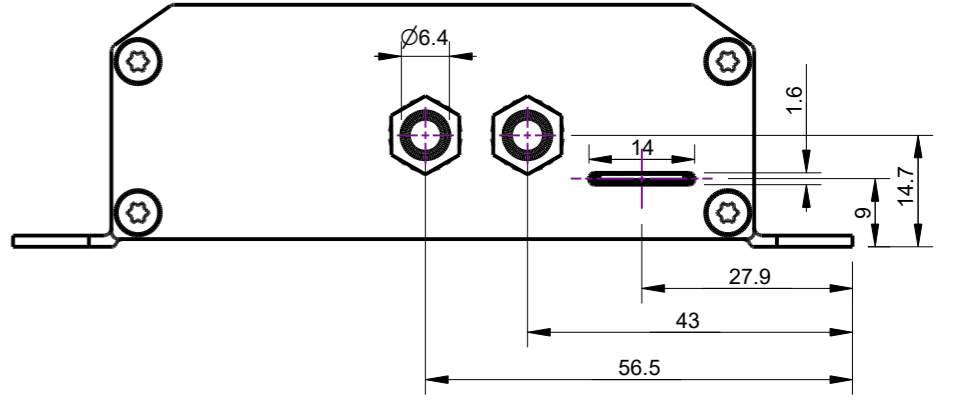
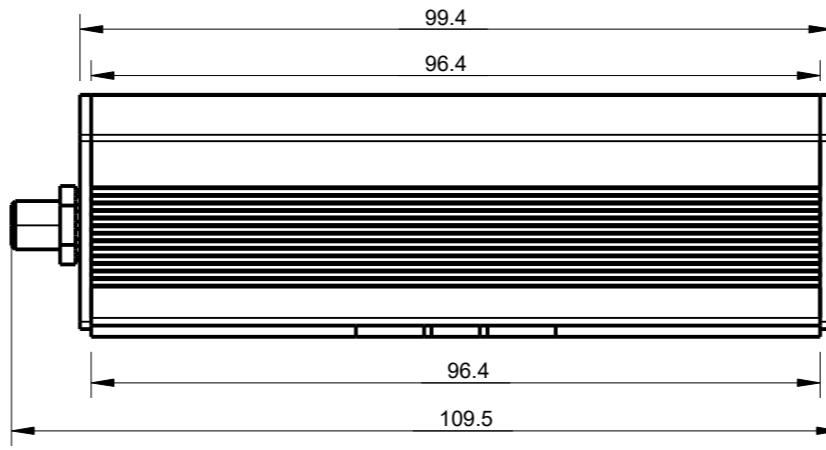
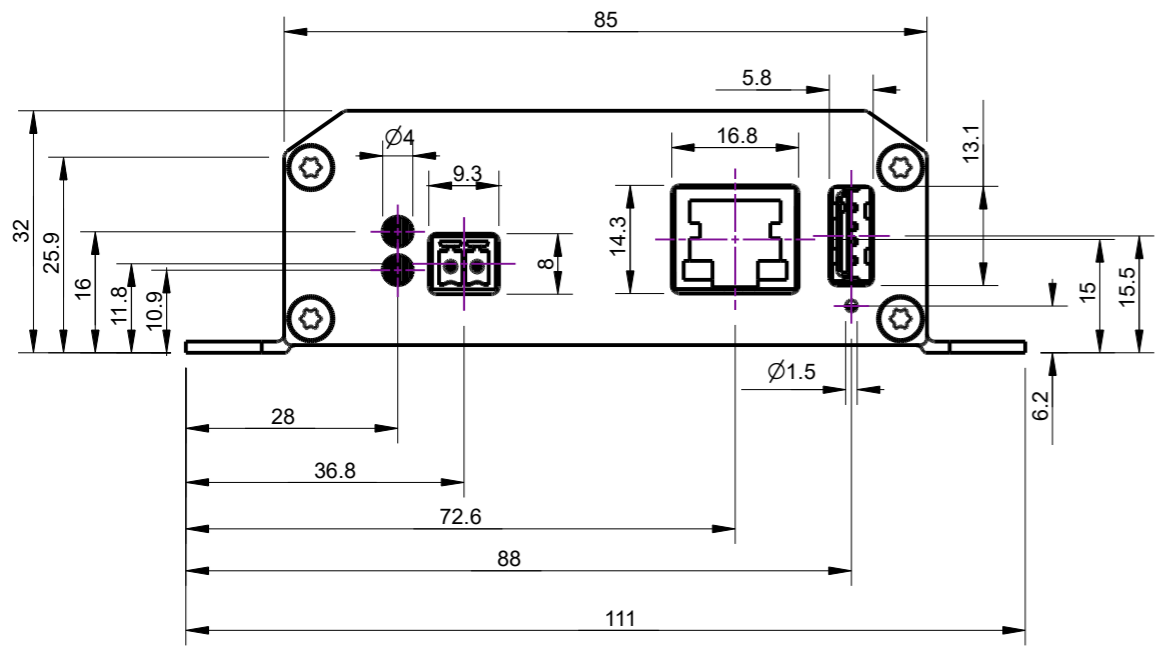


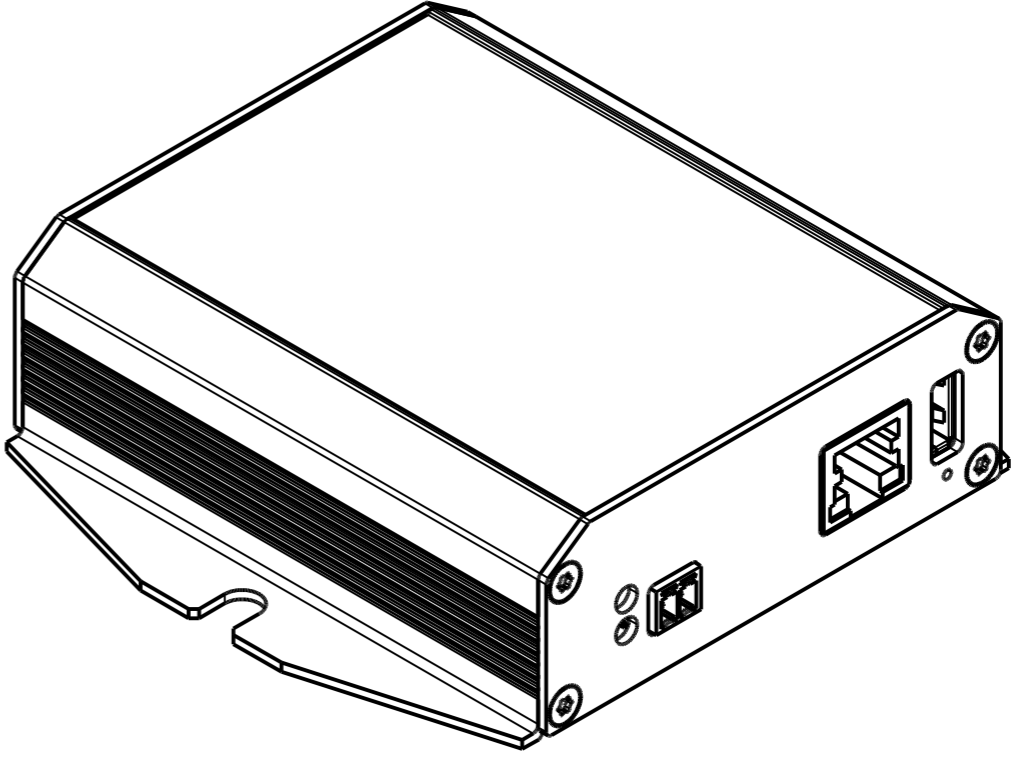
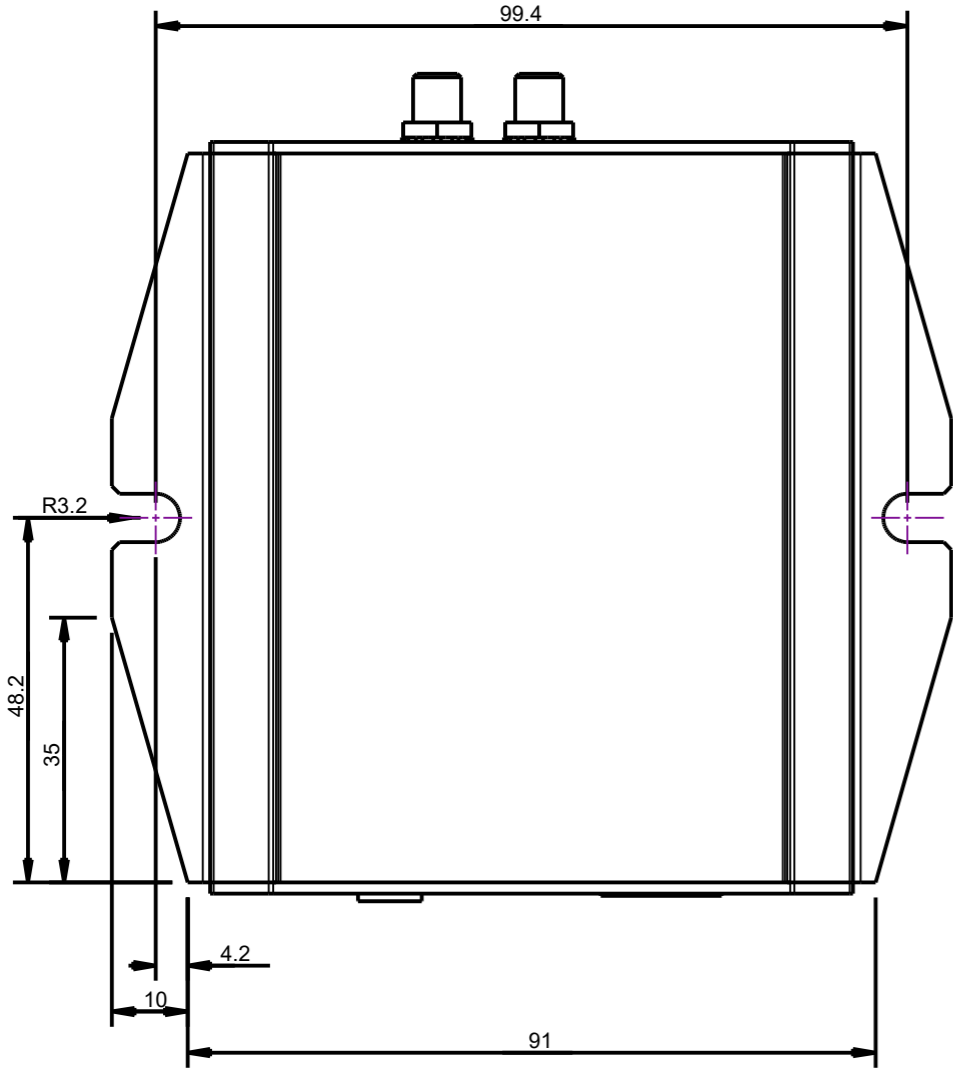
1 2 3 4 5 6 7 8

A



B

C



D

E

F

Itemref	Quantity	Title/Name, designation, material, dimension etc			Article No./Reference
Drawn by rr	Checked by jl	Approved by - date	File name	Date 2017-09-04	Scale 1:1
			NB800-LSu		
Drawing No. NB800_V1_0			Format A3	Edition V1_0	Sheet 1/1

1 2 3 4 5 6 7 8