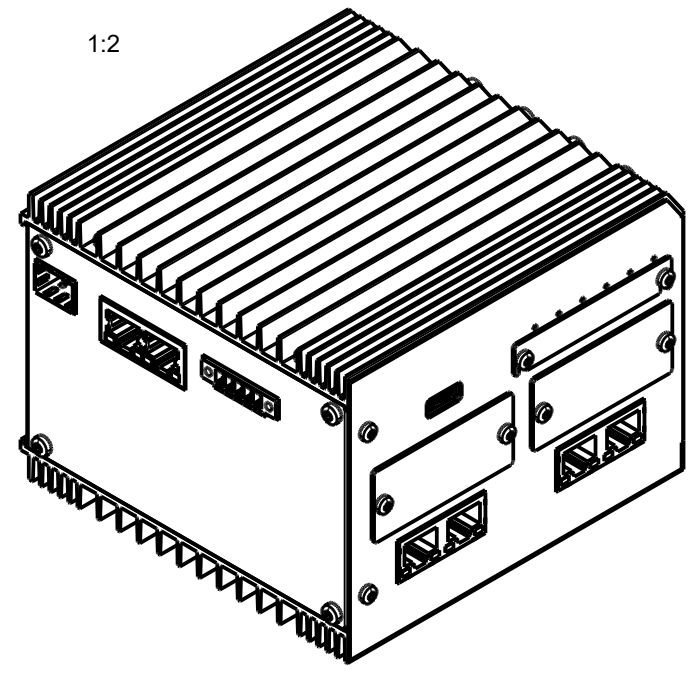
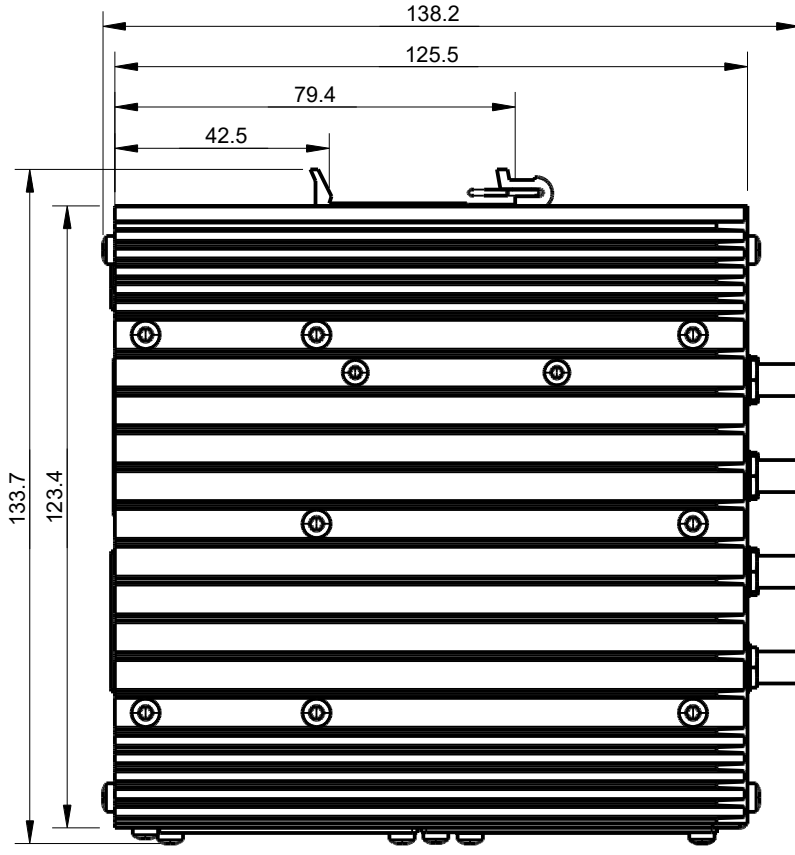
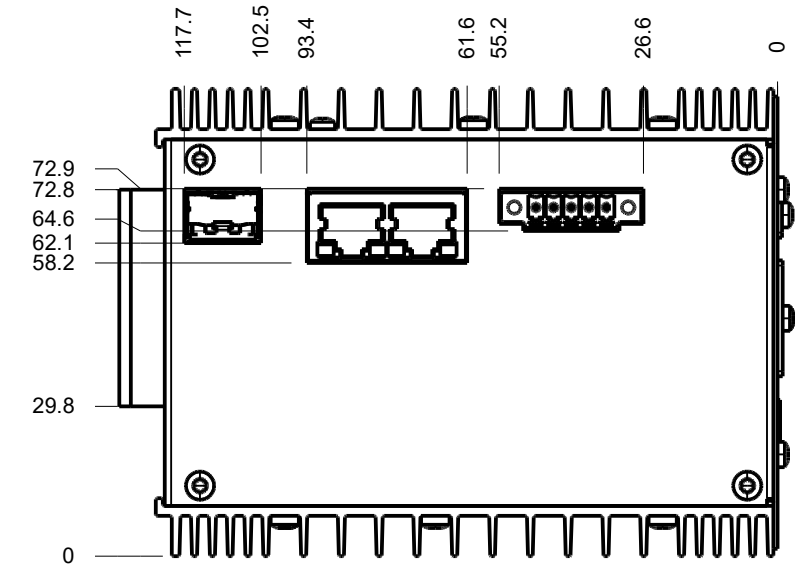
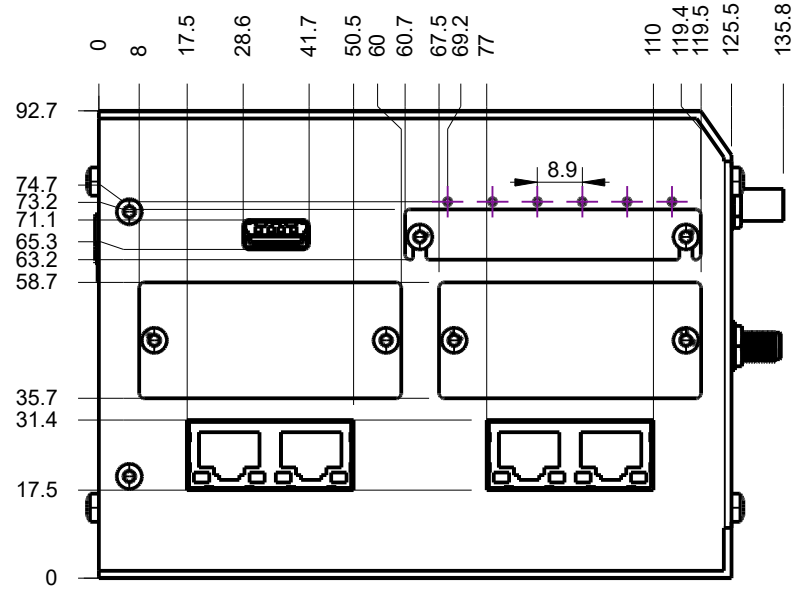
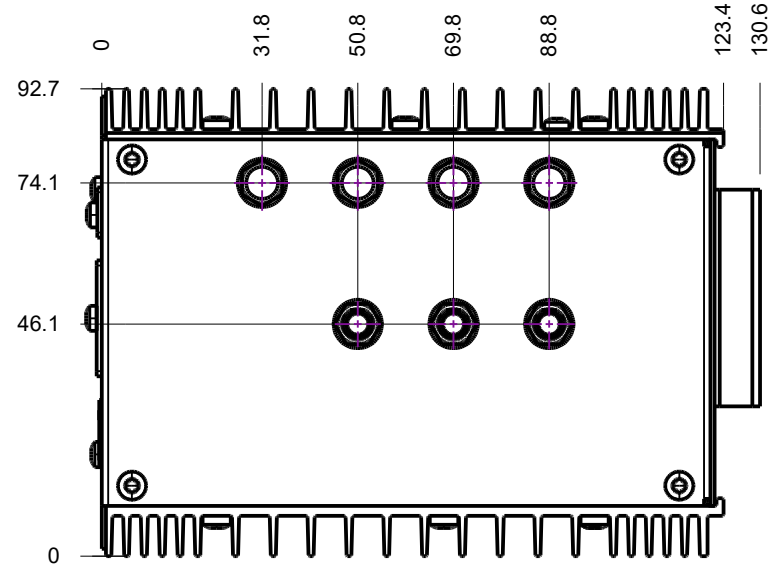


A  
B  
C  
D  
E  
F

A  
B  
C  
D  
E  
F



Itemref	Quantity	Title/Name, designation, material, dimension etc			Article No./Reference
Drawn by rr	Checked by ao	Approved by - date rr - 16.01.2019	File name	Date 16.01.2019	Scale 1:1.5
NRHW 18			<b>NB1810</b>		
Drawing No.			Format A3	Edition V1.1	Sheet 1/1