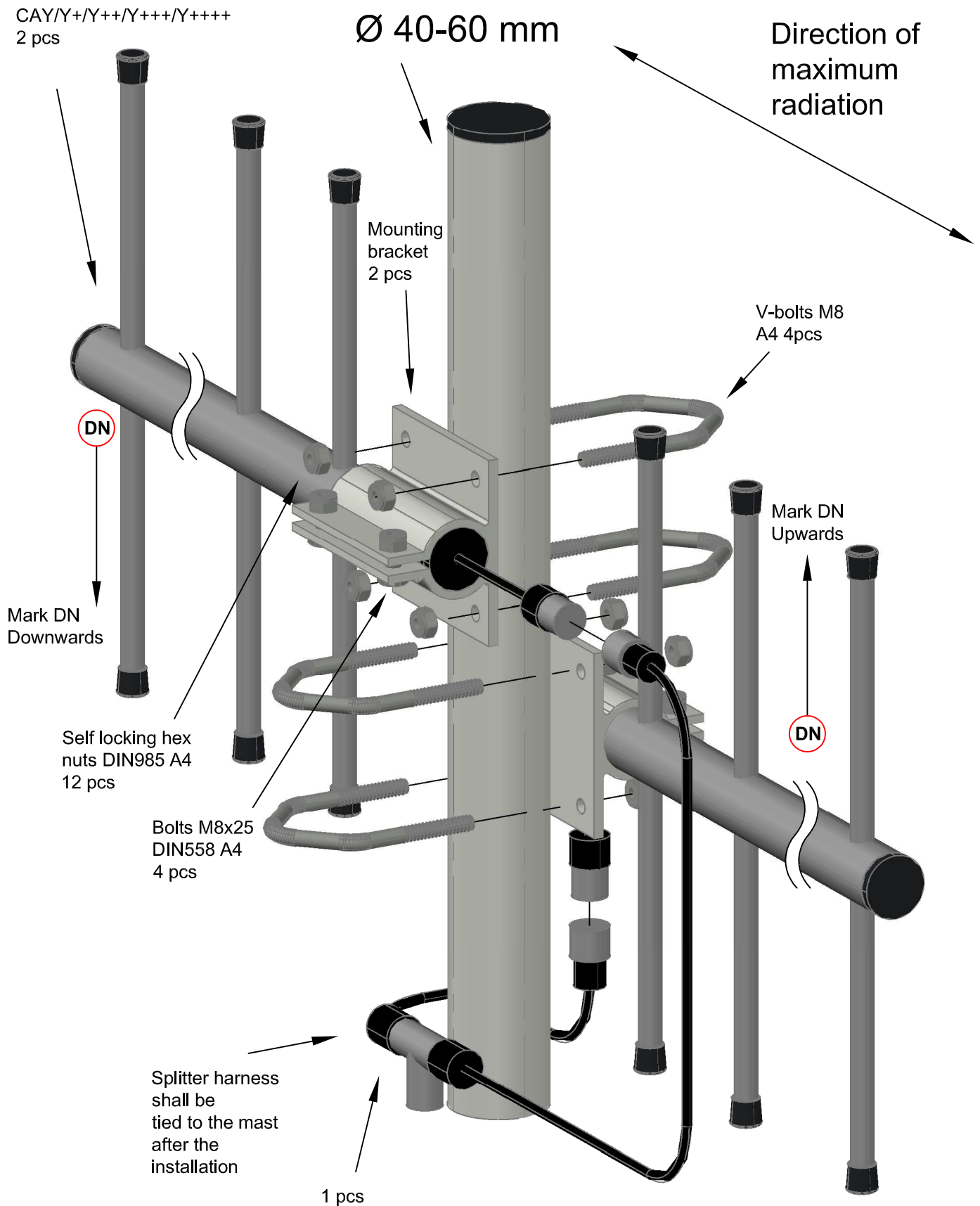


# CAF2/F2+/F2++/F2+++/CAF2++++ Application Installation



For proper weather protection all connectors and cable junctions should be covered by self-amalgamating tape or equivalent