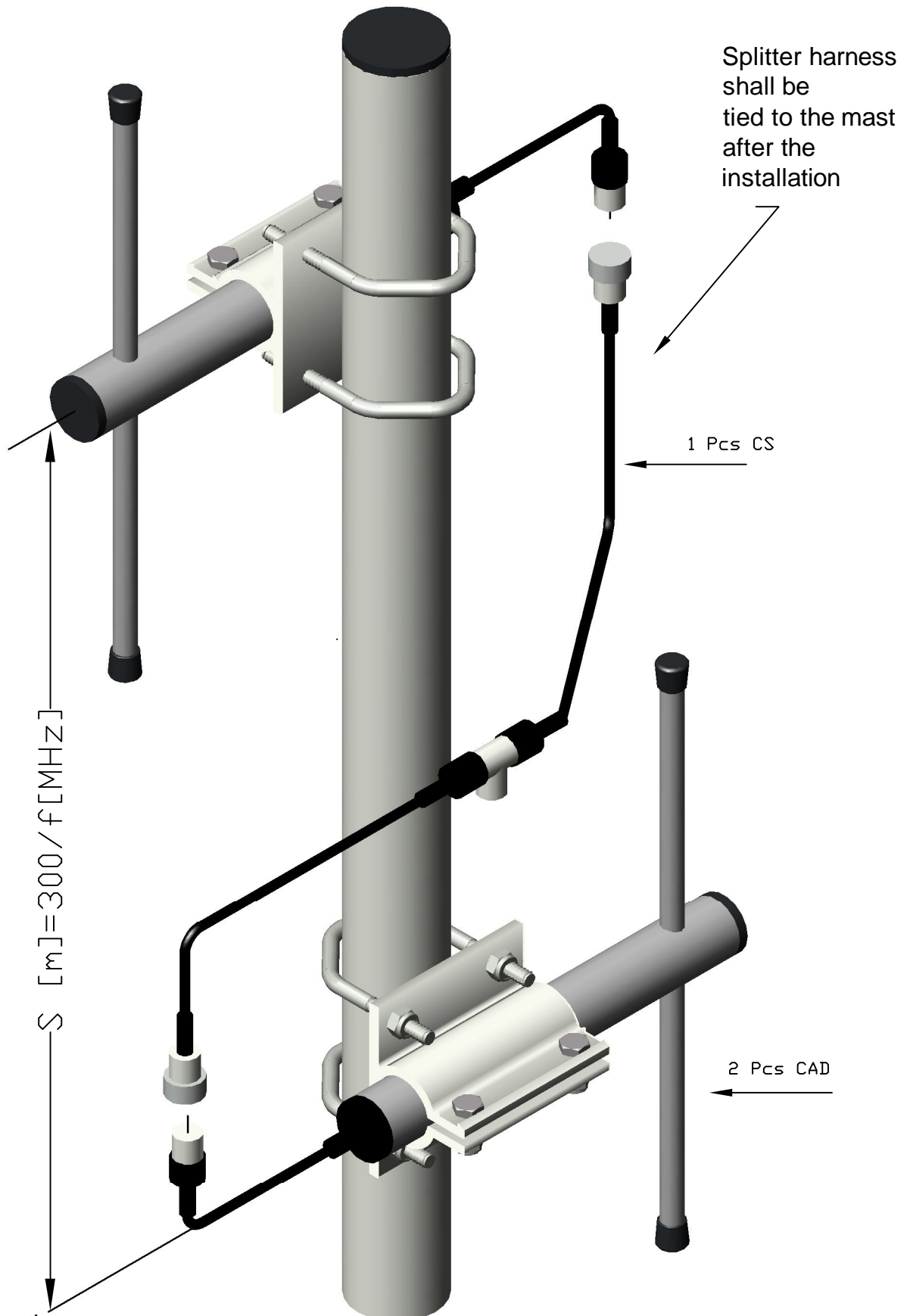


ComAnt CAE2 Application Installation

THE MAST SHOULD OVERLOOK THE DIPOLE ENDS



For proper weather protection all connectors and cable junctions should be covered by self-amalgamating tape or equivalent