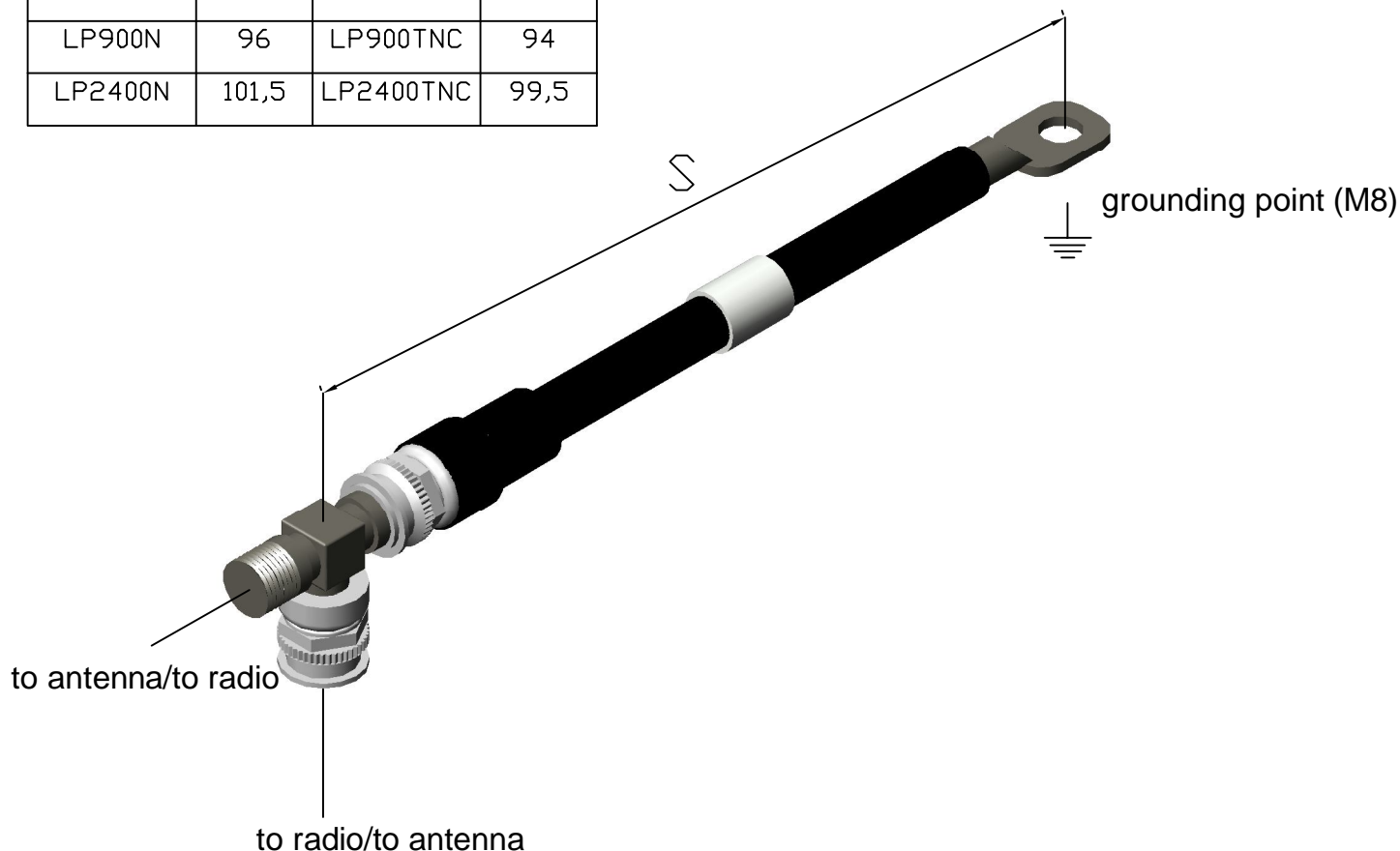


# ComAnt LP Installation instructions

S (mm)			
LP80N	664	LP80TNC	662
LP150N	354	LP150TNC	352
LP150N	258	LP150TNC	256
LP400N	159,5	LP400TNC	157,5
LP900N	96	LP900TNC	94
LP2400N	101,5	LP2400TNC	99,5



The preferred location for lightning protector is outside of protected zone

The lightning protector can be inserted to feedline in both directions

Grounding to central grounding bar or equivalent

Grounding cables of minimum 16 mm<sup>2</sup>

Grounding point is mounted by properly tightened M8 bolt

The contact surfaces at the grounding point shall be clean and dry

LP-N(N-female - N-male) is IP67

LP-TNC (TNC-female - TNC-male) is IP62

For proper weather protection all connectors and cable junctions should be covered by self-amalgamating tape or equivalent