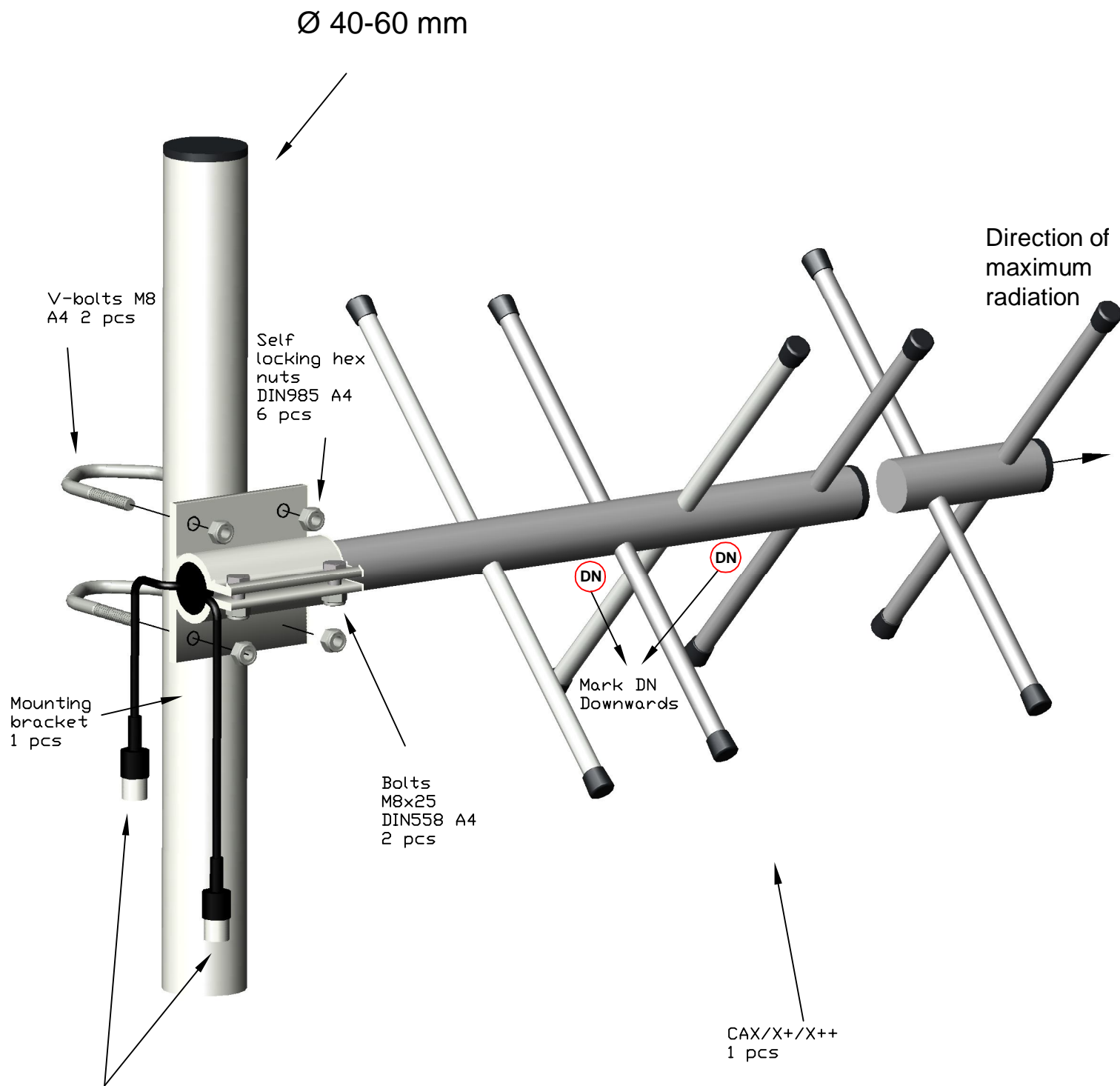


# ComAnt CAX/CAX+/CAX++ (right) Installation instruction



N-Female/TNC-female connector

Note: The cables has to be tied on the opposite sides of the pole.  
Front antenna shorter cable  
Rear antenna longer cable

For proper weather protection all connectors and cable junctions should be covered by self-amalgamating tape or equivalent