

ComAnt[®] Communications Antennas

FREQUENCY INDEPENDENT DATA

Description: offset pattern collinear, field adjustable pattern, optional beam tilting

Frequency: 135-145 MHz, 144-156 MHz, 154-166 MHz, 163-177 MHz, 221-239 MHz, 326-353 MHz, 336-364 MHz, 365-395 MHz, 380-410 MHz, 405-440 MHz, 440-475 MHz, 830-890 MHz, 880-960 MHz

Impedance: 50 ohm

Gain: 8 dBi

H -3 dB: 181°

E -3 dB: 27°

F/B: 5-10 dB, depending on mounting

Polarization: vertical

Connector: N-female/TNC-female

VSWR: < 1.5

Radome: UV resistant ABS/FG, RAL 7012, PU foam filling

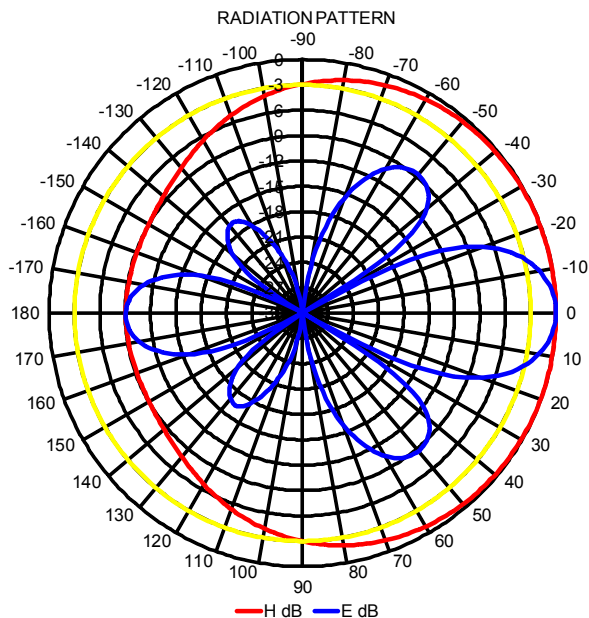
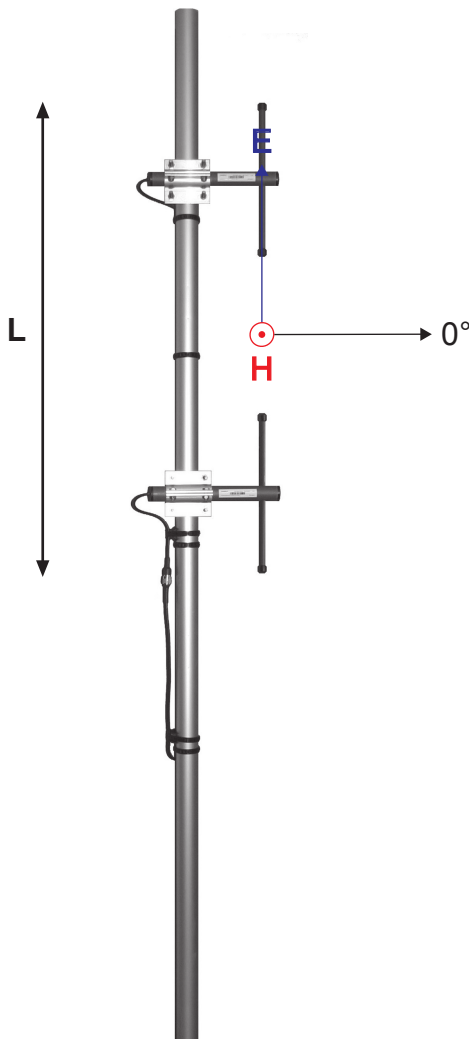
Radiator: copper

Attachment: ø 35-60 mm, aluminium alloy bracket, stainless steel V-bolts and self locking nuts

Lightning protection: DC-short circuited

Temperature: -40° - +80°C

IP: 67



CAC2 OFFSET PATTERN COLLINEAR