

# ComAnt<sup>®</sup> Communications Antennas

## FREQUENCY INDEPENDENT DATA

Description: bidirectional stacked broadside, field adjustable pattern, optional beam tilting

Frequency: 135-145 MHz, 144-156 MHz, 154-166 MHz, 163-177 MHz, 221-239 MHz, 326-353 MHz, 336-364 MHz, 365-395 MHz, 380-410 MHz, 405-440 MHz, 440-475 MHz, 830-890 MHz, 880-960 MHz

Impedance: 50 ohm

Gain: 9 dBi

H -3 dB: 71°

E -3 dB: 27°

F/B: 0 dB

Polarization: vertical/horizontal

Connector: N-female/TNC-female

VSWR: < 1.5

Radome: UV resistant ABS/FG, RAL 7012, PU foam filling

Radiator: copper

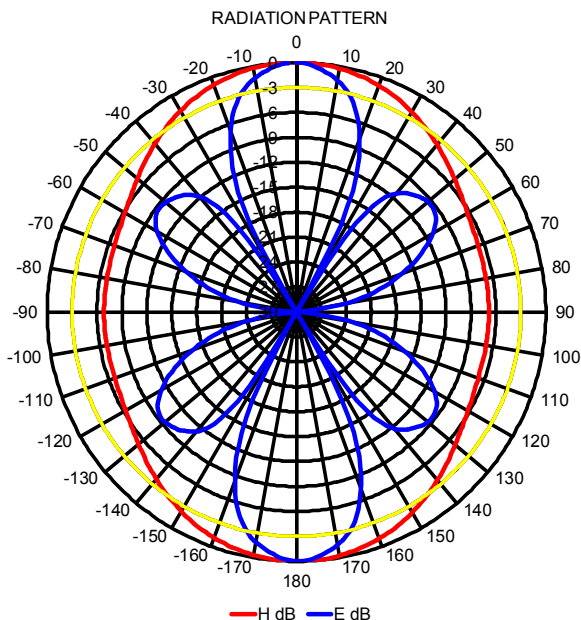
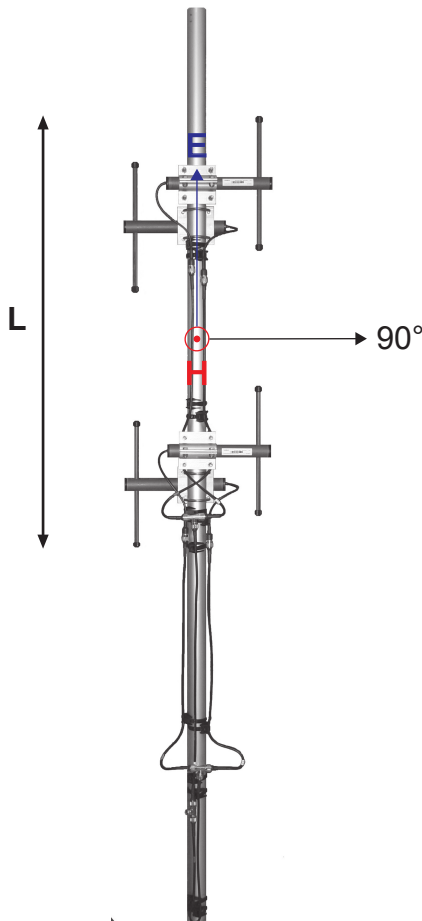
Attachment: Ø 35-60 mm, aluminium alloy bracket, stainless steel V-bolts and self locking nuts

Lightning

protection: DC-short circuited

Temperature: -40° - +80°C

IP: 67



**CAB4 BIDIRECTIONAL STACKED BROADSIDE**