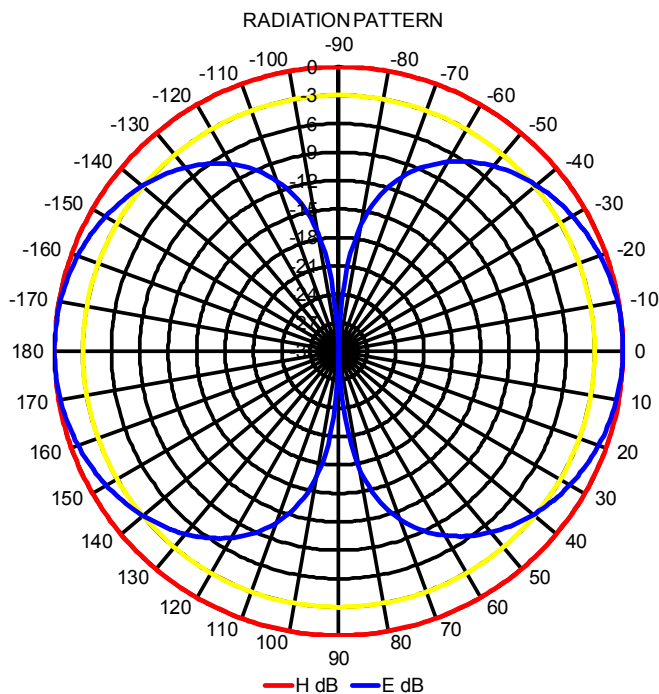
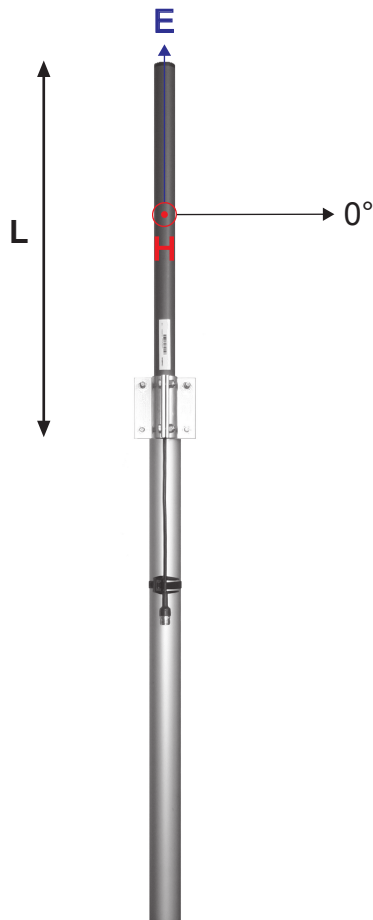


ComAnt[®] Communications Antennas

FREQUENCY INDEPENDENT DATA

Description: omnidirectional coaxial dipole
 Frequency: 326-353 MHz, 336-364 MHz,
 380-400 MHz, 405-440 MHz,
 440-475 MHz, 830-890 MHz,
 880-960 MHz
 Impedance: 50 ohm
 Gain: 2 dBi
 H -3 dB: 81°
 E -3 dB: 0 dB
 F/B: 0 dB
 Polarization: vertical
 Connector: N-female/TNC-female
 VSWR: < 1.5
 Radome: UV resistant ABS/FG,
 RAL 7012, PU foam filling
 Radiator: copper
 Attachment: ø 35-60 mm, aluminium alloy
 bracket, stainless steel V-
 bolts and self locking nuts
 Lightning protection: DC-short circuited
 Temperature: -40° - +80°C
 IP: 67



CAO OMNIDIRECTIONAL COAXIAL DIPOLE

CompleTech
 ComAnt[®]-antennas by CompleTech, Finland